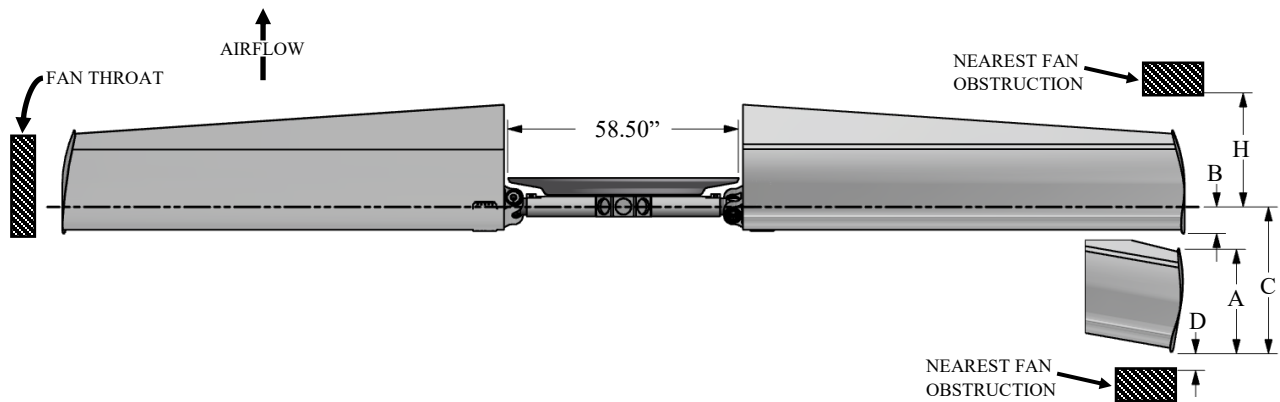
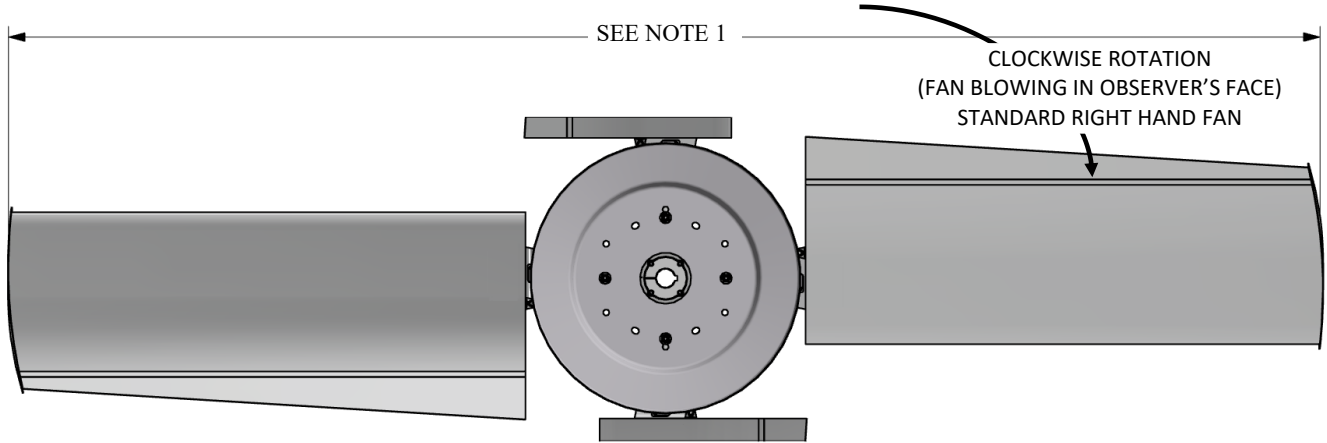
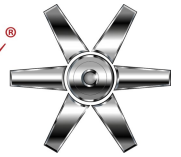


CLASS 10000 HD SERIES 60 XC

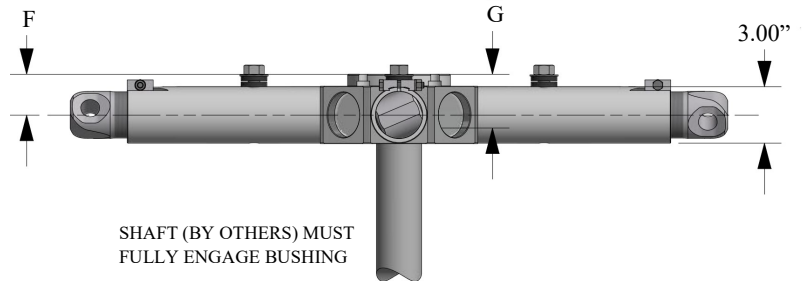
RH ROTATION

Moore
FANS



- A = BLADE TIP THICKNESS @ 19° BLADE ANGLE
- B = RUNNING POSITION OF BLADES
- C = MAXIMUM DROOP POSITION OF BLADES
- D = MINIMUM OBSTACLE CLEARANCE AT INLET
- F = CENTERLINE OF FAN TO BASE OF BUSHING
- G = BUSHING OVERALL HEIGHT
- H = MINIMUM OBSTACLE CLEARANCE AT OUTLET
- I = NOMINAL MECHANICAL HUB DIAMETER
- L = MAXIMUM BUSHING TORQUE FT. LBS.
- # = WITH S.A.E. STANDARD SQUARE KEYWAY
- * = WITH SHALLOW KEYWAY IN BUSHING
- o = MAX METRIC BORE WITH STANDARD KEYWAY

BUSHING AND/OR AIR SEAL
CAN BE INSTALLED ON INLET
OR OUTLET SIDE OF FAN



SHAFT (BY OTHERS) MUST
FULLY ENGAGE BUSHING

**WITH FAN OPERATING AT 12000 FT/
MINUTE BLADE TIP SPEED**

DIA	PERCENT BLADE LOADING						
	100%		75%		C	D	H
	A	B	A	B			
10'	14.9"	11.2"	10.6"	12.2"	4.0"	16"	
11'	14.2"	11.7"	10.9"	13.1"	4.0"	16"	
12'	13.5"	12.3"	11.4"	14.3"	4.0"	16"	
13'	12.9"	13.1"	11.9"	15.7"	4.0"	16"	
14'	12.2"	14.0"	12.5"	17.2"	4.0"	16"	
15'	11.5"	15.1"	13.2"	18.9"	4.0"	16"	
16'	10.8"	16.0"	13.7"	20.5"	4.0"	16"	

NOTE 1:
MAXIMUM FAN DIAMETER EQUALS NOMINAL FAN DIAMETER.
ADJUSTMENT OF ±1.5 INCHES* POSSIBLE AT INSTALLATION
*BLADES WITH ATEX TIPS HAVE ADJUSTMENT OF -1.0" & +2.0"
ON DIAMETER

MAX BLADES	BUSHING TYPE	MAX # BORE	MAX * BORE	MAX o BORE	F	G	L
10	U	2.750"	2.938"	75	2.0"	2.7"	4000
10	W	3.750"	4.000"	100	2.2"	2.8"	7300